



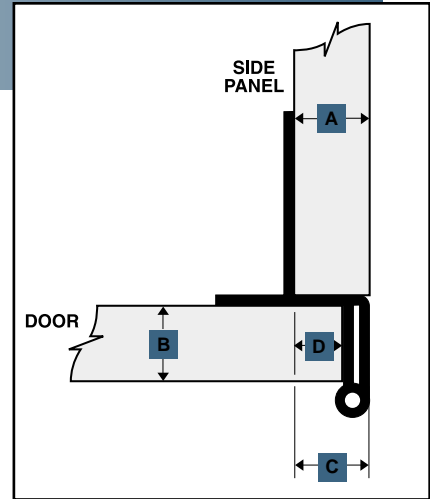
OVERLAY HINGES

RPC offers a wide selection of 5-knuckle overlay hinges, 2-3/4" in height to meet the requirements of your application.

All RPC hinges have as standard: hospital tips; 270° opening angle; drilled knuckle IDs and machined knuckle edges for smooth operation; and a non-removable knurled pin.

The 370 Series, and 450 Series overlay hinges meet ANSI/BHMA 156.9 Grade 1 requirements. The 370 Series, 8314 and 8362 overlay hinges are designed for the 32mm side panel line boring system. The 450 Series overlay hinges are designed for both the 32mm side panel line boring system and 45mm insertion system on the door wing. All mounting holes are countersunk for #8 flat head screws.

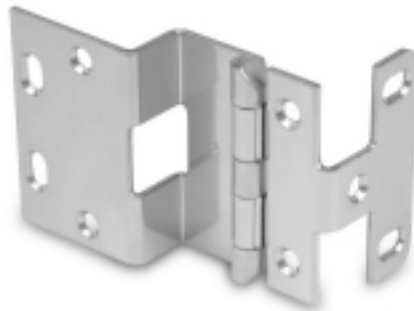
Minaret tips are available as an option. See page 3 for standard powder coat and plated finishes. Custom finishes are available upon request.



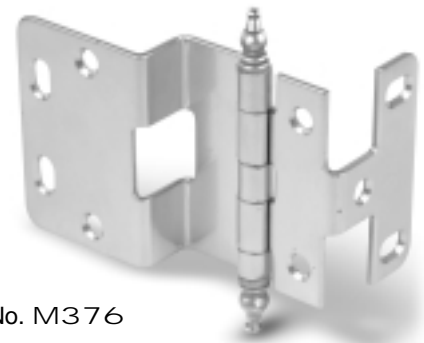
See table below for measurements



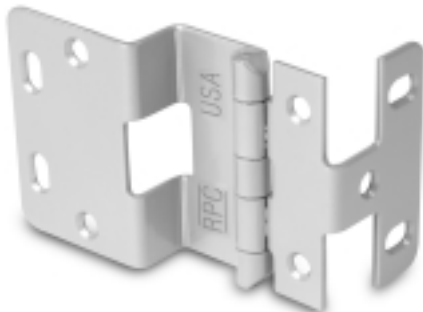
No. 374 and 376



No. 375 and 376SS



No. M376



No. 454 and 456

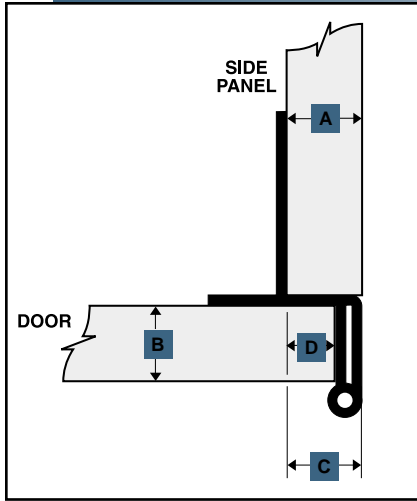


No. 455

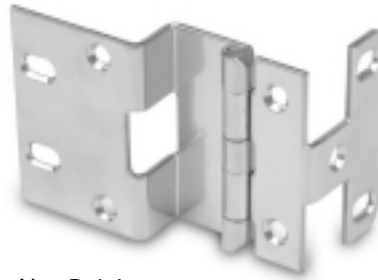
	A	B	C	D			
Part No.	Side Panel in. [mm]	Door Thickness in. [mm]	Hinge Overlay in. [mm]	Door Overlay in. [mm]	Reveal (A-D) in. [mm]	Material Thickness	Comments
374	3/4" (19mm)	3/4" (19mm)	23/32" (18.3mm)	15/32" (11.9mm)	9/32" (7.1mm)	.095" (2.4mm)	32mm System, Side Panel
375	13/16" (20.6mm)	13/16" (20.6mm)	25/32" (19.8mm)	17/32" (13.5mm)	9/32" (7.1mm)	.095" (2.4mm)	32mm System, Side Panel
376	3/4" (19mm)	13/16" (20.6mm)	23/32" (18.3mm)	15/32" (11.9mm)	9/32" (7.1mm)	.095" (2.4mm)	32mm System, Side Panel
376SS	3/4" (19mm)	13/16" (20.6mm)	23/32" (18.3mm)	15/32" (11.9mm)	9/32" (7.1mm)	.090" (2.3mm)	Type 304 Stainless Steel
M376	3/4" (19mm)	13/16" (20.6mm)	23/32" (18.3mm)	15/32" (11.9mm)	9/32" (7.1mm)	.095" (2.4mm)	Minaret Tips
454	3/4" (19mm)	3/4" (19mm)	23/32" (18.3mm)	15/32" (11.9mm)	9/32" (7.1mm)	.095" (2.4mm)	32mm System, Side Panel+45mm System, Door
455	13/16" (20.6mm)	13/16" (20.6mm)	25/32" (19.8mm)	17/32" (13.5mm)	9/32" (7.1mm)	.095" (2.4mm)	32mm System, Side Panel+45mm System, Door
456	3/4" (19mm)	13/16" (20.6mm)	23/32" (18.3mm)	15/32" (11.9mm)	9/32" (7.1mm)	.095" (2.4mm)	32mm System, Side Panel+45mm System, Door

All dimensions are nominal.

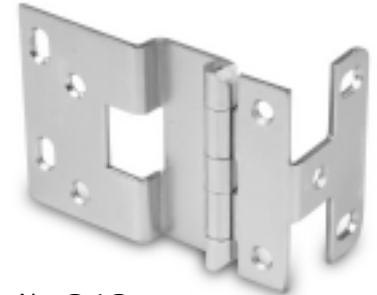
OVERLAY HINGES



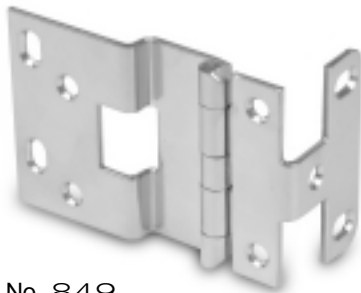
See table below for measurements



No. 846



No. 848



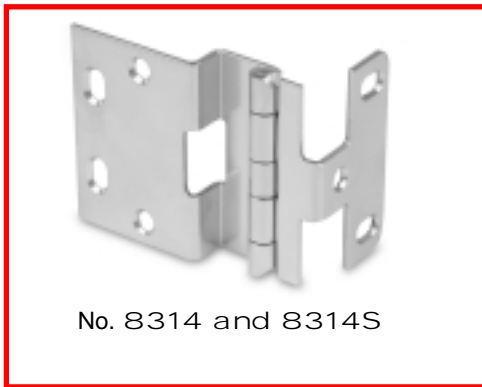
No. 849



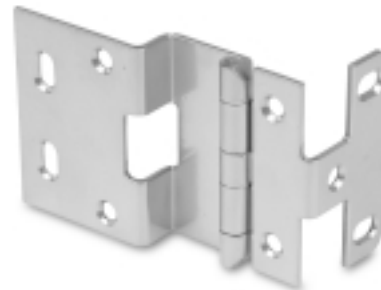
No. 851



No. 853



No. 8314 and 8314S



No. 8362

	A	B	C	D			
Part No.	Side Panel in. [mm]	Door Thickness in. [mm]	Hinge Overlay in. [mm]	Door Overlay in. [mm]	Reveal (A-D) in. [mm]	Material Thickness	Comments
846	3/4" (19mm)	3/4" (19mm)	23/32" (18.3mm)	1/2" (12.7mm)	1/4" (6.4mm)	.095" (2.4mm)	Horizontal Adjustment on Side Panel
848	3/8" (9.5mm)	3/4" (19mm)	11/32" (8.7mm)	1/8" (3.2mm)	1/4" (6.4mm)	.095" (2.4mm)	Staggered Side Panel Mounting Holes
849	3/8" (9.5mm)	13/16" (20.6mm)	11/32" (8.7mm)	1/8" (3.2mm)	1/4" (6.4mm)	.095" (2.4mm)	Staggered Side Panel Mounting Holes
851	3/4" (19mm)	3/4" (19mm)	23/32" (18.3mm)	15/32" (11.9mm)	9/32" (7.1mm)	.083" (2.1mm)	Extend Side Panel Leaf
853	5/8" (15.9mm)	13/16" (20.6mm)	19/32" (15.1mm)	11/32" (8.7mm)	9/32" (7.1mm)	.095" (2.4mm)	Staggered Side Panel Mounting Holes
8314	1/2" (12.7mm)	1/2" (12.7mm)	1/2" (12.7mm)	9/32" (7.1mm)	7/32" (5.6mm)	.090" (2.3mm)	Commonly used w/ Phenolic Materials 32mm System, Side Panel
8314S	1/2" (12.7mm)	1/2" (12.7mm)	1/2" (12.7mm)	9/32" (7.1mm)	7/32" (5.6mm)	.090" (2.3mm)	Type 304 Stainless Steel, Commonly used with Phenolic Materials 32mm System, Side Panel
8362	5/8" (15.9mm)	13/16" (20.6mm)	19/32" (15.1mm)	11/32" (8.7mm)	9/32" (7.1mm)	.095" (2.4mm)	32mm System, Side Panel

All dimensions are nominal.